

Searle DV dry cooler

DV RANGE PRODUCT PROFILE

1 CASEWORK

The casework is fabricated from pre-galvanised sheet steel with grey polyester powder painted RAL7032 (Pebble Grey), oven cured at 180°C ensures an even, flexible and durable gloss finish, providing excellent corrosion protection, tolerant to UV exposure.

The casework is extended at both ends of the unit to provide protection for the return bends, headers and controls. Each fan chamber is separated by internal baffle plates to prevent induced windmilling of off-cycle fans.

3 FANS

Kelvion offer three phase AC or EC axial fans. The fan sets have been optimised for the range of module options, with the latest innovations such as AxiTop, ZA Plus and Flow grid all available through our selection program.

- AC fan sets 6, 8 and 12 2 speed, internal thermal protection as standard
- EC fan sets have a maximum speed of 855rpm
- 800mm, 900mm and 910mm diameter fan set options
- 2 to 20 fans
- Motor rating: IP54
- Rated Frequency: 50/60 Hz
- All fan sets are ErP2015 compliant
- Guard: Metal Wire (Black)
- All AC fan sets motor temperatures of -40°C up to 60°C
- All EC fan sets motor temperatures of -25°C up to 60°C

3 Coil

Kelvion Standard coil for the DV range is manufactured from seamless ½" diameter copper tube employing the latest extended inner surface technology, mechanically expanded into aluminium rippled fin spaced at 2.31mm. The fully collared holes in the fin ensure an efficient and permanent bond between the expanded tube and the fin, giving the most effective heat transfer characteristics.

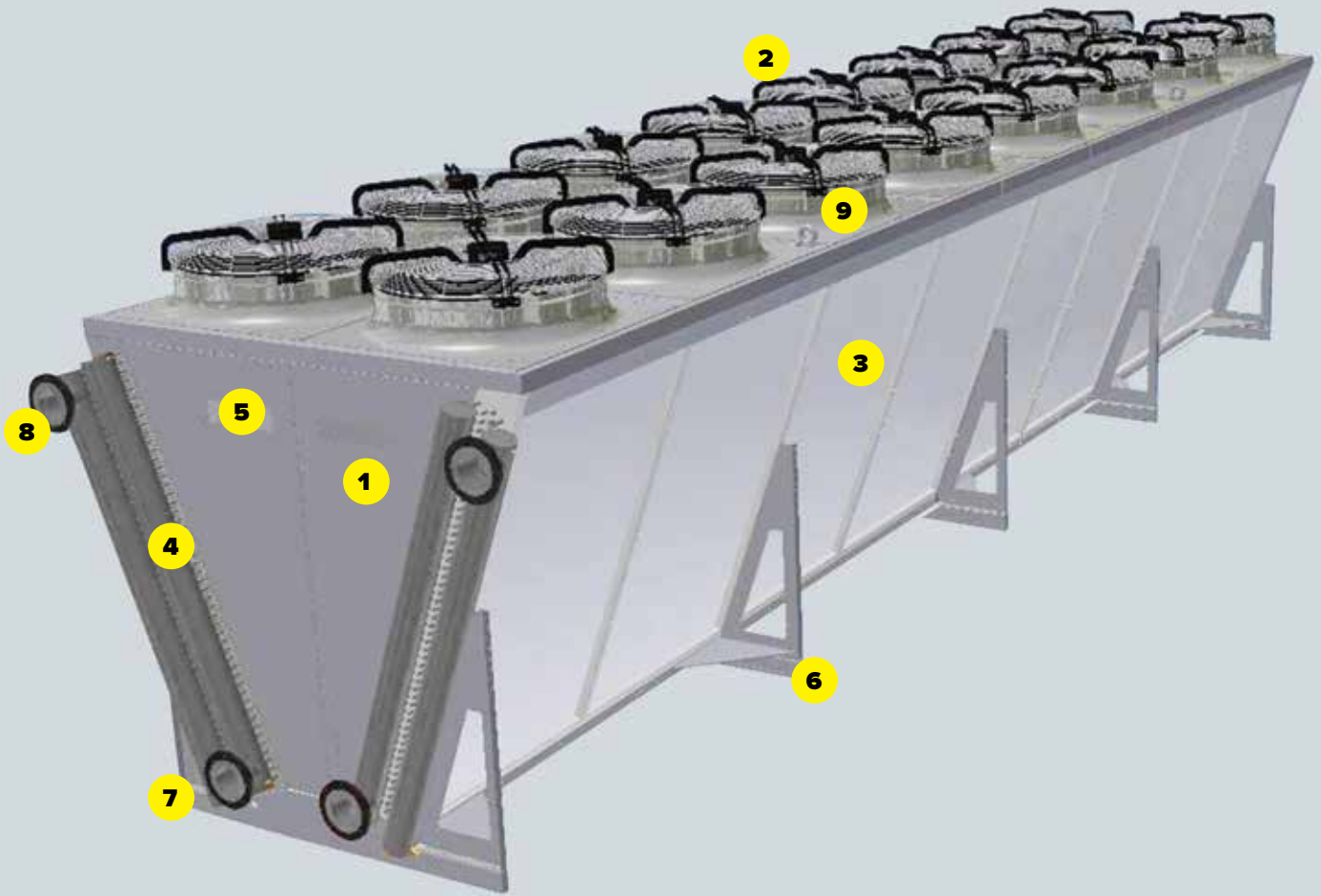
OPTIONS

- **Isolators** - Fan Mounted isolators
- **Alternative Fin Material** - Epoxy coated Aluminium, Copper, Blygold, Electro-tinned, Aluminium Magnesium
- **Special Paint** - Alternative unit colours or C5M Marine coating
- **Adiabatic System** - Copper or PVC piping
- **Terminal box** - Terminal box for customer control
- **Control Box** - AC or EC fan motors using pressure or temperature control
- Anti-Vibration mounts
- **Inverter** - Inverter controls for AC fans
- **Mounted Receivers** - Receiver mounting and piping
- **Frames** - Mounting frames
- Special voltage and frequencies

DV fan data

Fan type & Pole	Diameter	Module	Speed (rpm)		FLC (Amp)		SC (Amp)	
			Δ	Y	Δ	Y	Δ	Y
0806 N6 Pole	800mm	A,B,C,D	920	730	4.2	2.3	14.0	4.0
0808 N8 Pole		A,B,C,D	650	480	2.3	1.1	11.0	4.0
091 H6 Pole	900mm	A,B,C,D	910	710	5.5	3.5	28.0	10.0
091 N6 Pole	910mm	A,B,C,D	905	640	5.7	3.3	19.0	6.2
091 N12 Pole		A,B,C,D	440	340	0.85	0.4	2.0	1.0
091 E - EC Technology		A,B,C,D	865-115	-	3.5	-	4.9	-
091 P - EC Technology		A,B,C,D	930-90	-	3.2	-	4.2	-
091 M - EC Technology		A,B,C,D	940-100	-	3.0	-	4.2	-

AxiTop and ZAplus are available options.



- 4** Header
- 5** Control Box
- 6** Legs
- 7** Hot gas inlet
- 8** Liquid Outlet
- 9** Lifting slots



Nomenclature

DV A 2 6 2 M - N8 08 D - AL

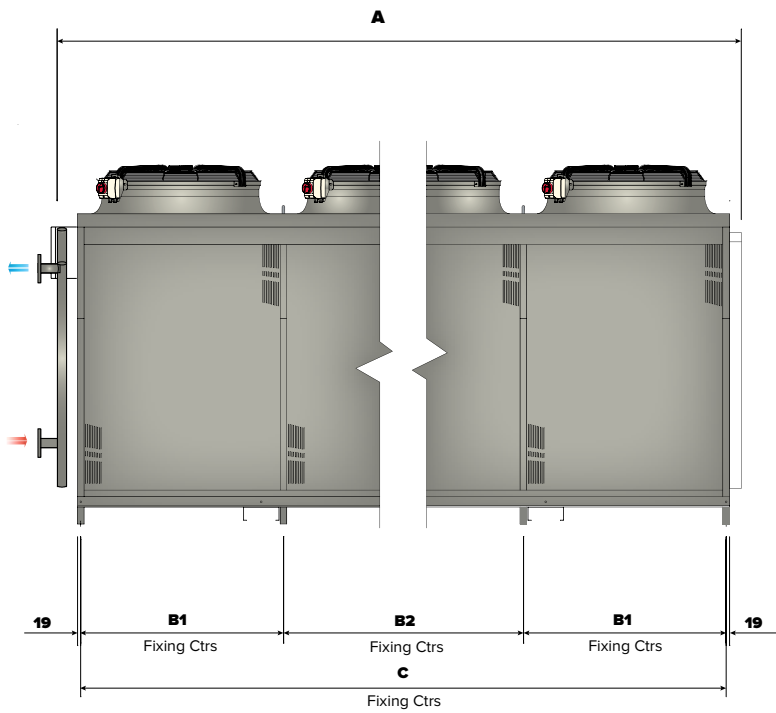
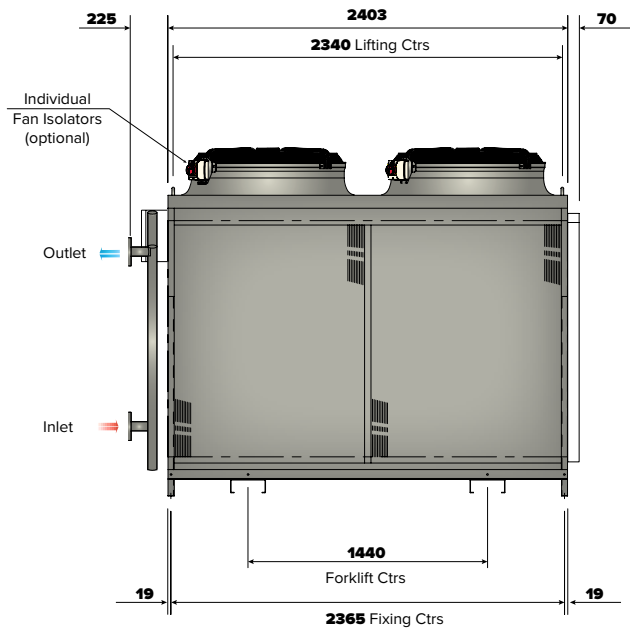
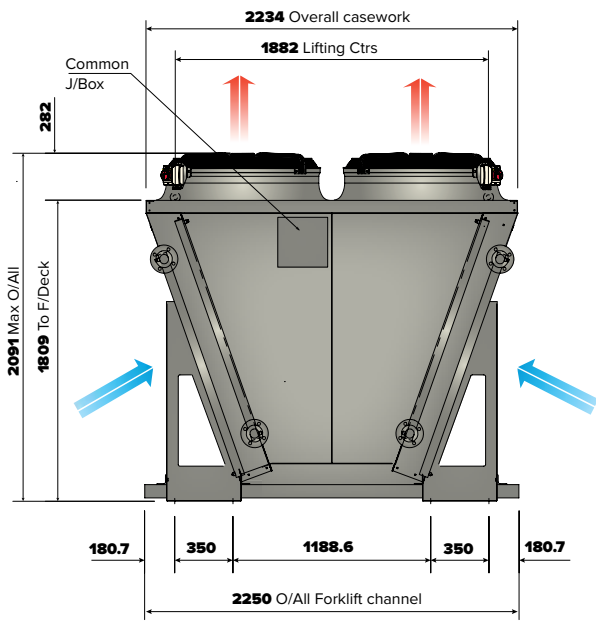
Range:	DV	↑
Module size:	A = 1200mm, B = 1440mm, C = 1800mm	↑
Bank of fans:	2	↑
Fans per bank:	1 - 10	↑
Coil row:	2, 3, 4	↑
Coil height:	M = Medium, L = Large	↑
Fan type:	refer to fan data	↑
Motor speed:	06, 08, 12, EC	↑
Motor wiring:	Delta, Star	↑
Coil material:	AL = copper tubes/ aluminium fins, AV = Copper tubes with epoxy/ epoxy polyurethane coated aluminium fins, CU = copper tubes/ copper fins, ET = copper tubes/copper fins electro-tinned, BG = copper tube/aluminium fin Blygold coated	↑

Capacities: M = 50 kW - 1575 kW, L = 55 kW - 1795 kW

DV...M Dimensions

Model		Size	No. of fans	A	B1	B2	C	Approx dry weight	
				Overall casework				AL/AV	CU/ET
				mm	mm	mm	mm	kg	kg
DVA	222	M	4	2698	N/A	N/A	2365	810	920
DVA	223	M	4	2698	N/A	N/A	2365	882	1062
DVA	224	M	4	2698	N/A	N/A	2365	953	1204
DVA	232	M	6	3898	1182	1200	3603	1227	1393
DVA	233	M	6	3898	1182	1200	3603	1334	1605
DVA	234	M	6	3898	1182	1200	3603	1442	1817
DVA	242	M	8	5098	1182	2400	5414	1639	1860
DVA	243	M	8	5098	1182	2400	5414	1782	2143
DVA	244	M	8	5098	1182	2400	5414	1926	2426
DVA	252	M	10	6298	2382	1200	6003	2051	2327
DVA	253	M	10	6298	2382	1200	6003	2230	2681
DVA	254	M	10	6298	2382	1200	6003	2409	3034
DVA	262	M	12	7498	2382	2400	7203	2463	2794
DVA	263	M	12	7498	2382	2400	7203	2678	3219
DVA	264	M	12	7498	2382	2400	7203	2893	3643
DVA	272	M	14	8698	2382	1800	8403	2876	3262
DVA	273	M	14	8698	2382	1800	8403	3127	3757
DVA	274	M	14	8698	2382	1800	8403	3377	4252
DVA	282	M	16	9898	2382	2400	9603	3289	3730
DVA	283	M	16	9898	2382	2400	9603	3575	4295
DVA	284	M	16	9898	2382	2400	9603	3861	4861
DVA	292	M	18	11098	3502	3600	10803	3721	4218
DVA	293	M	18	11098	3502	3600	10803	4044	4854
DVA	294	M	18	11098	3502	3600	10803	4366	5489
DVA	2A2	M	20	12298	2382	2400	12003	4134	4685
DVA	2A3	M	20	12298	2382	2400	12003	4492	5392
DVA	2A4	M	20	12298	2382	2400	12003	4850	6098
DVB	222	M	4	3178	N/A	N/A	2845	925	1060
DVB	223	M	4	3178	N/A	N/A	2845	1012	1230
DVB	224	M	4	3178	N/A	N/A	2845	1098	1400
DVB	232	M	6	4618	1422	1440	4323	1393	1594
DVB	233	M	6	4618	1423	1440	4323	1522	1849
DVB	234	M	6	4618	1422	1440	4323	1651	2103
DVB	242	M	8	6058	1423	2880	5725	1860	2129
DVB	243	M	8	6058	1423	2880	5725	2032	2468
DVB	244	M	8	6058	1423	2880	5725	2204	2808
DVB	252	M	10	7498	2863	1440	7203	2326	2662
DVB	253	M	10	7498	2863	1440	7203	2541	3087
DVB	254	M	10	7498	2863	1440	7203	2756	3511
DVB	262	M	12	8938	2863	2880	8602	2794	3197
DVB	263	M	12	8938	2863	2880	8602	3051	3706
DVB	264	M	12	8938	2863	2880	8602	3309	4215
DVB	272	M	14	10378	2862	2880	10083	3282	3751
DVB	273	M	14	10378	2862	2880	10083	3582	4345
DVB	274	M	14	10378	2862	2880	10083	3882	4939
DVB	282	M	16	11818	2862	2880	11523	3749	4286
DVB	283	M	16	11818	2862	2880	11523	4092	4964
DVB	284	M	16	11818	2862	2880	11523	4435	5642
MVC	222	M	4	3898	1782	N/A	3603	1090	1261
MVC	223	M	4	3898	1782	N/A	3603	1197	1473
MVC	224	M	4	3898	1782	N/A	3603	1305	1685
MVC	232	M	6	5698	1782	1800	5403	1640	1895
MVC	233	M	6	5698	1782	1800	5403	1801	2214
MVC	234	M	6	5698	1782	1800	5403	1962	2532
MVC	242	M	8	7498	1782	1800	7203	2189	2530
MVC	243	M	8	7498	1782	1800	7203	2404	2955
MVC	244	M	8	7498	1782	1800	7203	2619	3379
MVC	252	M	10	9298	1791	1800	9003	2739	3165
MVC	253	M	10	9298	1791	1800	9003	3007	3695
MVC	254	M	10	9298	1791	1800	9003	3276	4225
MVC	262	M	12	11098	1782	1800	10803	3309	3820
MVC	263	M	12	11098	1782	1800	10803	3631	4456
MVC	264	M	12	11098	1782	1800	10803	3953	5092

Note: Total unit dry weight is dependent upon the coil material used (AL/AV = Copper tubes with Aluminium or Copper tubes with 2 pack epoxy coated aluminium fins, CU = Copper tubes with Copper fins or Copper fins electro-tinned).

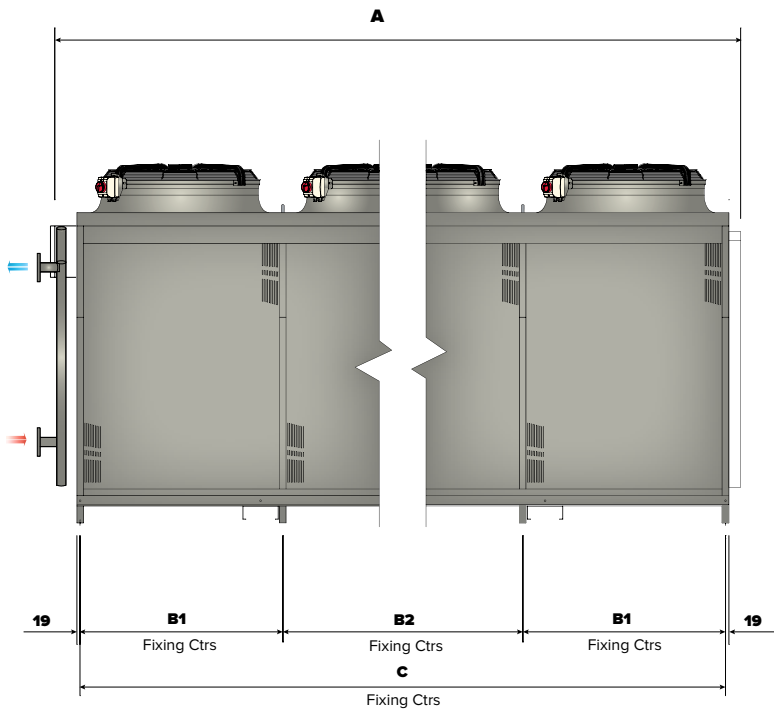
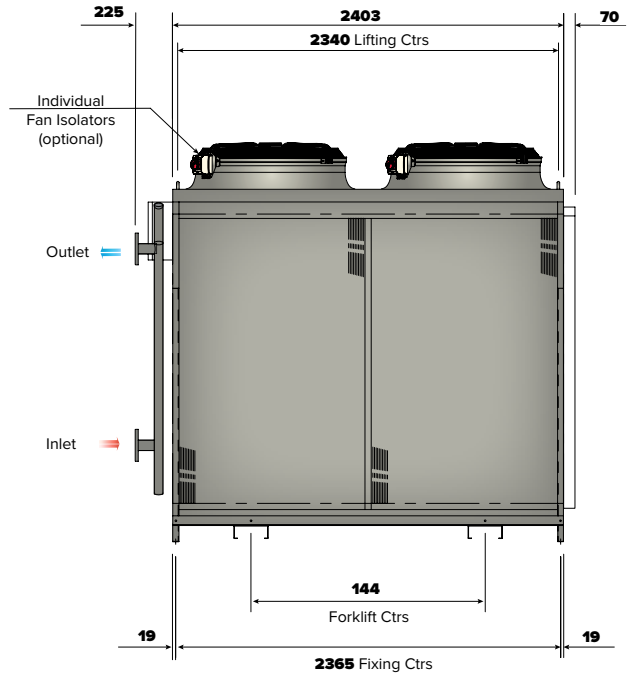
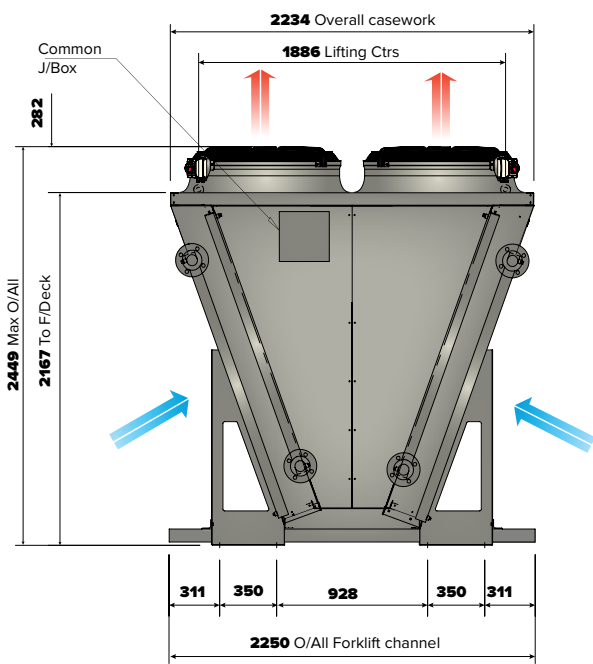


Note: All dimensions in mm. Common junction box will vary in size and position depending on the control option required.

DV...L Dimensions

Model		Size	No. of fans	A Overall casework	B1	B2	C	Approx dry weight	
								AL/AV	CU/ET
								mm	mm
DVA	222	L	4	2698	N/A	N/A	2365	946	1087
DVA	223	L	4	2698	N/A	N/A	2365	1036	1264
DVA	224	L	4	2698	N/A	N/A	2365	1126	1442
DVA	232	L	6	3898	1182	1200	3603	1432	1643
DVA	233	L	6	3898	1182	1200	3603	1567	1908
DVA	234	L	6	3898	1182	1200	3603	1701	2174
DVA	242	L	8	5098	1182	2400	5414	1912	2193
DVA	243	L	8	5098	1182	2400	5414	2092	2547
DVA	244	L	8	5098	1182	2400	5414	2271	2900
DVA	252	L	10	6298	2382	1200	6003	2393	2744
DVA	253	L	10	6298	2382	1200	6003	2617	3186
DVA	254	L	10	6298	2382	1200	6003	2840	3628
DVA	262	L	12	7498	2382	2400	7203	2873	3294
DVA	263	L	12	7498	2382	2400	7203	3142	3825
DVA	264	L	12	7498	2382	2400	7203	3410	4355
DVA	272	L	14	8698	2382	1800	8403	3354	3846
DVA	273	L	14	8698	2382	1800	8403	3668	4464
DVA	274	L	14	8698	2382	1800	8403	3980	5082
DVA	282	L	16	9898	2382	2400	9603	3835	4397
DVA	283	L	16	9898	2382	2400	9603	4193	5103
DVA	284	L	16	9898	2382	2400	9603	4551	5810
DVA	292	L	18	11098	3502	3600	10803	4336	4967
DVA	293	L	18	11098	3502	3600	10803	4739	5762
DVA	294	L	18	11098	3502	3600	10803	5141	6557
DVA	2A2	L	20	12298	2382	2400	12003	4817	5518
DVA	2A3	L	20	12298	2382	2400	12003	5265	6402
DVA	2A4	L	20	12298	2382	2400	12003	5711	7285
DVB	222	L	4	3178	N/A	N/A	2845	1090	1261
DVB	223	L	4	3178	N/A	N/A	2845	1198	1473
DVB	224	L	4	3178	N/A	N/A	2845	1306	1686
DVB	232	L	6	4618	1422	1440	4323	1640	1896
DVB	233	L	6	4618	1423	1440	4323	1801	2214
DVB	234	L	6	4618	1422	1440	4323	1962	2532
DVB	242	L	8	6058	1423	2880	5725	2190	2531
DVB	243	L	8	6058	1423	2880	5725	2404	2955
DVB	244	L	8	6058	1423	2880	5725	2619	3379
DVB	252	L	10	7498	2863	1440	7203	2736	3162
DVB	253	L	10	7498	2863	1440	7203	3005	3693
DVB	254	L	10	7498	2863	1440	7203	3273	4223
DVB	262	L	12	8938	2863	2880	8602	3286	3798
DVB	263	L	12	8938	2863	2880	8602	3608	4434
DVB	264	L	12	8938	2863	2880	8602	3931	5070
DVB	272	L	14	10378	2862	2880	10083	3856	4452
DVB	273	L	14	10378	2862	2880	10083	4232	5194
DVB	274	L	14	10378	2862	2880	10083	4607	5936
DVB	282	L	16	11818	2862	2880	11523	4405	5086
DVB	283	L	16	11818	2862	2880	11523	4834	5934
DVB	284	L	16	11818	2862	2880	11523	5264	6782
DVC	222	L	4	3898	1782	N/A	3603	1114	1388
DVC	223	L	4	3898	1782	N/A	3603	1242	1653
DVC	224	L	4	3898	1782	N/A	3603	1370	1919
DVC	232	L	6	5698	1782	1800	5403	1672	2084
DVC	233	L	6	5698	1782	1800	5403	1864	2481
DVC	234	L	6	5698	1782	1800	5403	2056	2879
DVC	242	L	8	7498	1782	1800	7203	2195	2744
DVC	243	L	8	7498	1782	1800	7203	2486	3310
DVC	244	L	8	7498	1782	1800	7203	2742	3840
DVC	252	L	10	9298	1791	1800	9003	2753	3439
DVC	253	L	10	9298	1791	1800	9003	3109	4138
DVC	254	L	10	9298	1791	1800	9003	3428	4800
DVC	262	L	12	11098	1782	1800	10803	3586	4409
DVC	263	L	12	11098	1782	1800	10803	3989	5224
DVC	264	L	12	11098	1782	1800	10803	4371	6018

Note: Total unit dry weight is dependent upon the coil material used (AL/AV = Copper tubes with Aluminium or Copper tubes with 2 pack epoxy coated aluminium fins, CU = Copper tubes with Copper fins or Copper fins electro-tinned).



Note: All dimensions in mm. Common junction box will vary in size and position depending on the control option required.