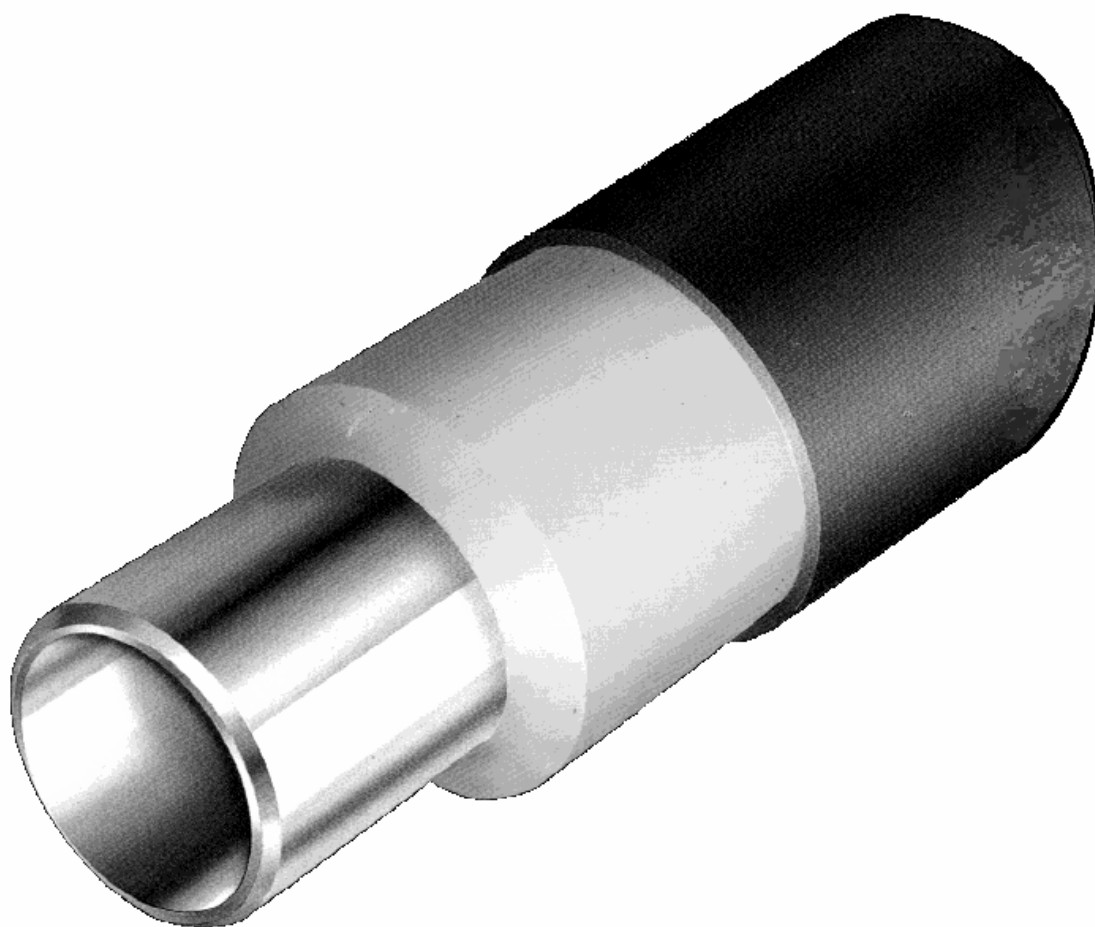


Capitolo 2
ECOSTANDARD® SYSTEM





EUROPEAN COMPANY OF PRE-INSULATED PIPES



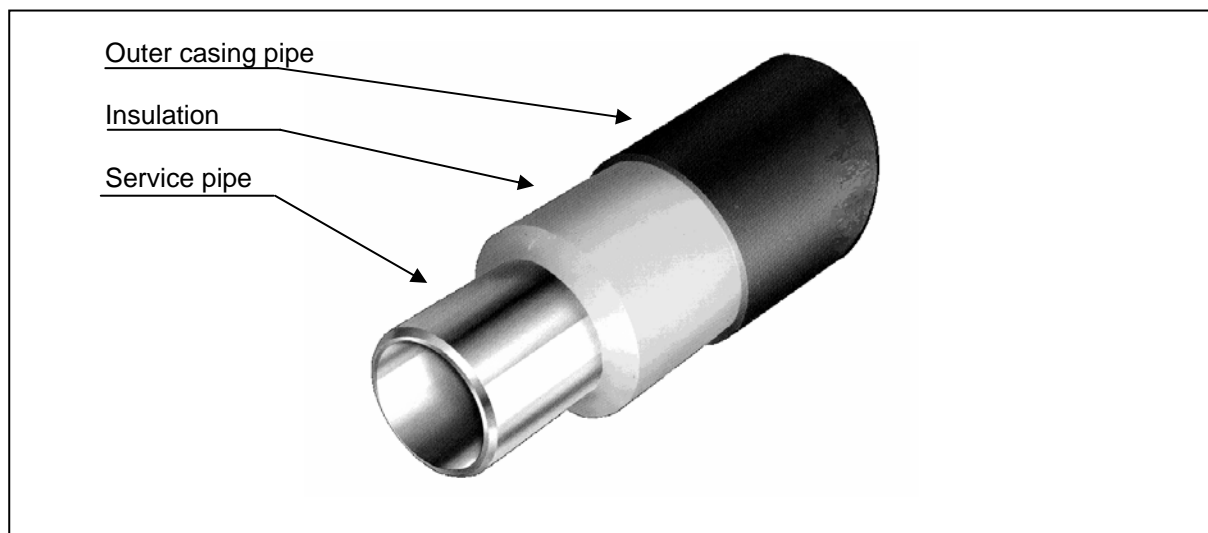
GENERAL CATALOGUE

Pre-insulated bonded pipes systems

ECOSTANDARD® System

Ecostandard® represents the standard product (pipes, fittings and accessories) for application in centralised plants.

Materials features are in accordance with the international standards (**CEN, DIN, BS, DS**) and they answer to the Law 10/91, regulations on the Italian energetic saving.

GENERAL CATALOGUE
Pre-insulated bonded pipes systems
ECOSTANDARD® System
Components and dimensions

OUTER CASING PIPE

Material	High density polyethylene
Density	> 0.942 g/cm ³ (ISO 1183)
Yield point	≥ 19 N/mm ²
Tensile elongation	≥ 350 %

SERVICE PIPE

<i>Execution (Welded or S.S.)</i>	
ND 20÷32	UNI 8863
ND 40÷150	UNI 6363/84
<i>Type of steel</i>	
ND 20÷32	UNI Fe 330
ND 40÷150	UNI Fe 360

INSULATION

Material	rigid polyurethane foam
Density	total ≥ 80 Kg/m ³ core ≥ 60 Kg/m ³
Closed-cell percentage	>88 %
Compressive resistance after ageing	> 0.3 MPa
Tangential shearing resistance	> 0.2 MPa
Water absorption (90 min. at 100 °C)	< 10 %

ASSEMBLED PIPE

Ends	plain for butt welding with not insulated area = 150 mm.
Bar length	6 m. (ND 20÷32) 6/12 m. (ND 40÷150)
Thermal conductivity	0.03 W/mK at 50 °C

ECOLINE S.r.l.

 Registered Office: Via Volontari della Libertà, 1 – 22036 Erba (CO)
 Offices: Via Trieste, 66 – 25018 Montichiari (BS)

Phone +39.(0)30.961562

Fax +39.(0)30.961599

e-mail: ecoline@ecoline.it

GENERAL CATALOGUE
Pre-insulated bonded pipes systems
ECOSTANDARD® System

PIPES with insulation SERIES 1 – EN 253

STEEL			POLYETHYLENE		Insul. Thick. mm.	Pipe weight mm.	Water cont. l/m	Area T mm.	Length L m.
d mm.	DN mm. inches	Thick. mm.	D mm.	Thick. mm.					
26.9	20 ¾	2.3	90	3.0	28	3,0	0,4	150	6
33.7	25 1	2.6	90	3.0	25	3,2	0,6	150	6
42.4	32 1 ¼	2.6	110	3.0	31	4,5	1,0	150	6
48.3	40 1 ½	2.9	110	3.0	28	4,5	1,5	150	6
60.3	50 2	2.9	125	3.0	29	6,0	2,5	150	6 - 12
76.1	65 2 ½	2.9	140	3.0	29	8,0	4,0	150	6 - 12
88.9	80 3	2.9	160	3.0	32	10,5	5,5	150	6 - 12
114.3	100 4	3.2	200	3.2	39	13,0	9,0	150	6 - 12
139.7	125 5	3.6	225	3.5	38	17,0	14,0	150	6 - 12
168.3	150 6	4.0	250	3.9	36	23,0	20,0	150	6 - 12

GENERAL CATALOGUE
Pre-insulated bonded pipes systems
ECOSTANDARD® System


BENDS with insulation SERIES 1– EN 448					
			90°elbows	45°elbows	
d mm.	D mm.	T mm.	L₁ = L₂ mm.	L₁ = L₂ mm.	Radius R
20	90	150	400	380	D5
25	90	150	400	380	D5
32	110	150	430	380	D5
40	110	150	435	380	D5
50	125	150	465	380	D5
65	140	150	510	405	D5
80	160	150	540	430	D5
100	200	150	590	465	D5
125	225	150	680	500	D5
150	250	150	700	500	D5