



Feet

Brazed and Fusion-bonded Heat Exchangers

Alfa Laval offers a wide range of accessories to our products. Below feet and floor support kits are available from stock.

Floor support kit, adjustable foot

Material: Black painted steel

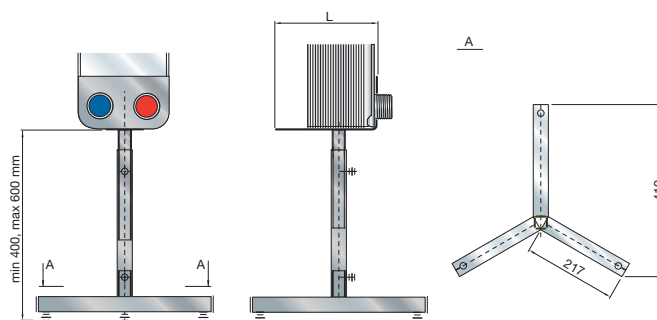
CB30, CB60, AlfaNova 27 (Fits connections 1 1/4" and smaller)

Nbr. of plates	L (mm)	Item id
10-60	45	34560 8980 1
61-100	130	34560 8980 2

CB110, CB112, AlfaNova 76 (Fits connections 2 1/2" and smaller)

Nbr. of plates	L (mm)	Item id
10-60	190	34560 9080 1
61-90	260	34560 9080 4

The adjustable foot can be combined with heating insulations (min. 22 plates).



Floor support kit

Material: Galvanized steel

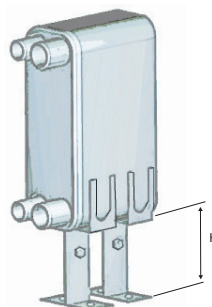
CB30, CB60, AlfaNova 27, AlfaNova 52

Nbr. of plates	H (mm)	Item id	Kit contains
24-50	124	34568 5320 1	1 foot
52-150	124	34568 5320 2	2 feet

CB110, CB112, AlfaNova 76

Nbr. of plates	H (mm)	Item id	Kit contains
46-100	148	34568 5330 1	1 foot
102-150	148	34568 5330 2	2 feet

The floor kit can be combined with heating insulations.



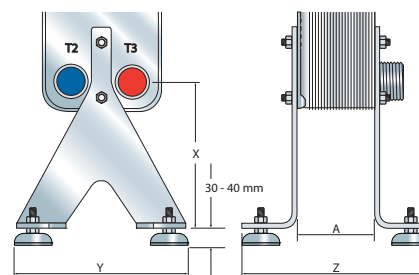
Rigid feet

Require studbolts on the heat exchanger.

Material: Galvanized steel

Model	X (mm)	Y (mm)	Z (mm)	Item id
AlfaNova 76				
CB110, CB112, AC220EQ	195	269	A + 180	34565 4450 1
CB200, AlfaNova 200	185	400	A + 160	Incl. in the heat exchanger
CB300	217 (S2) / 195 (S3)	466	A + 260	Incl. in the heat exchanger
CB400, AlfaNova 400	212	466	A + 260	Incl. in the heat exchanger
CB410	224	490	A + 220	Incl. in the heat exchanger

The rigid feet can be combined with heating and cooling insulations.



How to contact Alfa Laval

Up-to-date AlfaLaval contact details for all countries are always available on our website on www.alfalaval.com